

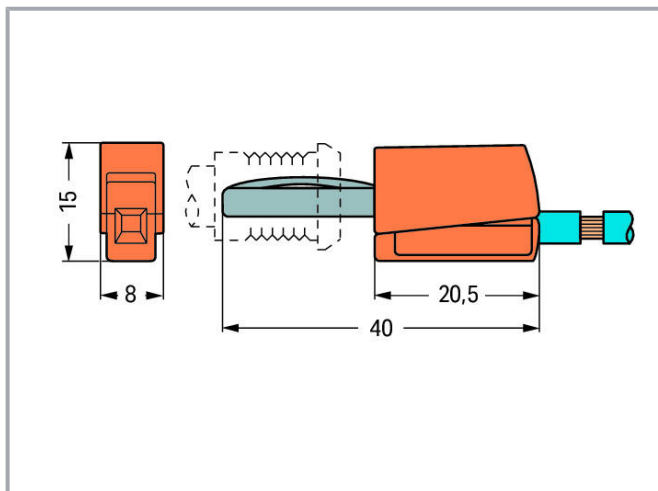
Data sheet | Item number: 215-212

Banana plug; for socket 4 mm Ø; 2,50 mm²; red

www.wago.com/215-212



Color: 



Subject to changes. Please also observe the further product documentation!

WAGO GmbH & Co. KG
Hansastr. 27
32423 Minden
Phone: +49571 887-0 | Fax: +49571 887-169
Email: info.de@wago.com | Web: www.wago.com

Do you have any questions about our products?
We are always happy to take your call at +49 (571) 887-44222.



Data

Technical data

Main product function	Testing accessories
Total number of potentials	1

Electrical data

Rated current	20 A
Test voltage	42 V

Connection data

Connection technology	CAGE CLAMP®
Strip length	9 ... 11 mm / 0.35 ... 0.43 inch
Total number of connection points	1
Solid conductor	0.08 ... 2.5 mm ² / 28 ... 14 AWG
Fine-stranded conductor	0.08 ... 2.5 mm ² / 28 ... 14 AWG

Physical data

Width	8 mm / 0.315 inch
Height	15 mm / 0.591 inch
Depth	40 mm / 1.575 inch

Material data

Color	red
Weight	3.9 g

Commercial data

Product Group	2 (Terminal Block Accessories)
PU (SPU)	50 Stück
Packaging type	box
Country of origin	DE
GTIN	4045454293482
Customs tariff number	85366990990

Subject to changes. Please also observe the further product documentation!

WAGO GmbH & Co. KG
 Hansastr. 27
 32423 Minden
 Phone: +49571 887-0 | Fax: +49571 887-169
 Email: info.de@wago.com | Web: www.wago.com

Do you have any questions about our products?
 We are always happy to take your call at +49 (571) 887-44222.



Downloads

Documentation

Bid Text

215-212 X81 - Datei	19-Feb-2019	xml 3.1 kB	Download
------------------------	-------------	---------------	----------

215-212 doc - Datei	19-Sep-2017	doc 25.1 kB	Download
------------------------	-------------	----------------	----------

CAD/CAE-Data

CAE data

EPLAN Data Portal 215-212	URL	Download
---------------------------	-----	----------

WSCAD Universe 215-212	URL	Download
------------------------	-----	----------

Environmental Product Compliance

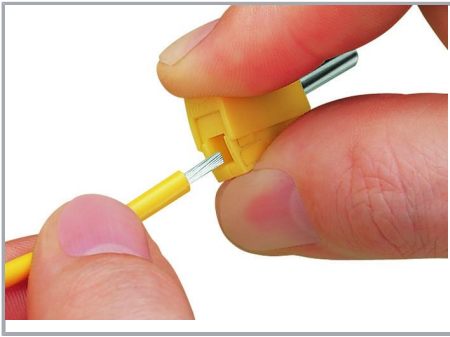
Compliance Search

Environmental Product Compliance 215-212 Banana plug; for socket 4 mm Ø; 2,50 mm ² ; red	URL	Download
--	-----	----------

Installation Notes

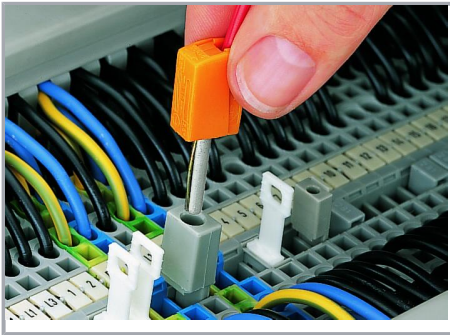
Conductor termination

Subject to changes. Please also observe the further product documentation!



Conductor termination: Press button fully, insert stripped conductor into square entry and release.

Testing



Testing via banana plug.

Picture shows a test plug adapter (209-170).

Subject to changes. Please also observe the further product documentation!